

With intuitive operation, Latitude compact counting scales deliver excellent value for quick parts counting needs. Latitude scales feature three displays to clearly show unit weight, count and total weight. Latitude is ideal for manufacturing, production, warehouse or inventory applications, as it is powered by the included AC adapter or internal rechargeable battery. A fully charged battery operates for an impressive 240 hours, so you don't have to worry about losing power. For added flexibility and convenience, you can also operate the Latitude using any USB power source.



Portable counting scale provides fast results



Features

- Backlit LCD shows weight, unit price and total price, to provide the key information simultaneously
- Overload protection helps prevent damage to internal components
- Rugged construction stands up to industrial use
- Large, grade 304 stainless steel pan allows easy cleaning
- Adjustable levelling feet help optimise setup
- Colour-coded keys facilitate quick recognition of the most frequently used buttons
- Rechargeable battery included for operation almost anywhere
- Programmable auto power-off to save energy
- Battery level is clearly displayed to indicate when the scale needs to be recharged
- Operates with a low voltage USB input providing flexibility for powering the device
- External calibration allows for verification and adjustment with weights
- Parts counting optimisation automatically refines piece weight as parts are added
- Parts counting with freely selectable sample sizes

Applications

- Weighing
- Parts counting

About ADAM:

For nearly 50 years, professionals worldwide have relied on Adam Equipment for an extensive selection of dependable and affordable weighing equipment. Adam provides the right balance of speed, performance and value.

Product Details

Model	LBX 3C	LBX 6C	LBX 15C	LBX 30C
Capacity	3kg	6kg	15kg	30kg
Readability	0.1g	0.2g	0.5g	1g
Resolution	1:30000			
Repeatability (S.D.)	0.2g	0.4g	1g	2g
Linearity (+/-)	0.2g	0.4g	1g	2g
Pan Size	245x180mm			
Weighing Units	g, kg, lb, lb:oz, oz			
Stabilisation Time (sec)	1			
Calibration	External calibration			
Display	3 LCD displays with 18mm-high digits			
Power Supply	5VDC 1A adapter / Internal rechargeable battery			
Battery Life (Hours)	240			
Operating Temperature	0° to 40°C			
Housing	ABS plastic			
Overall Dim.	255x290x105mm (wxdxh)			
Net Weight	2.5kg			

Accessories

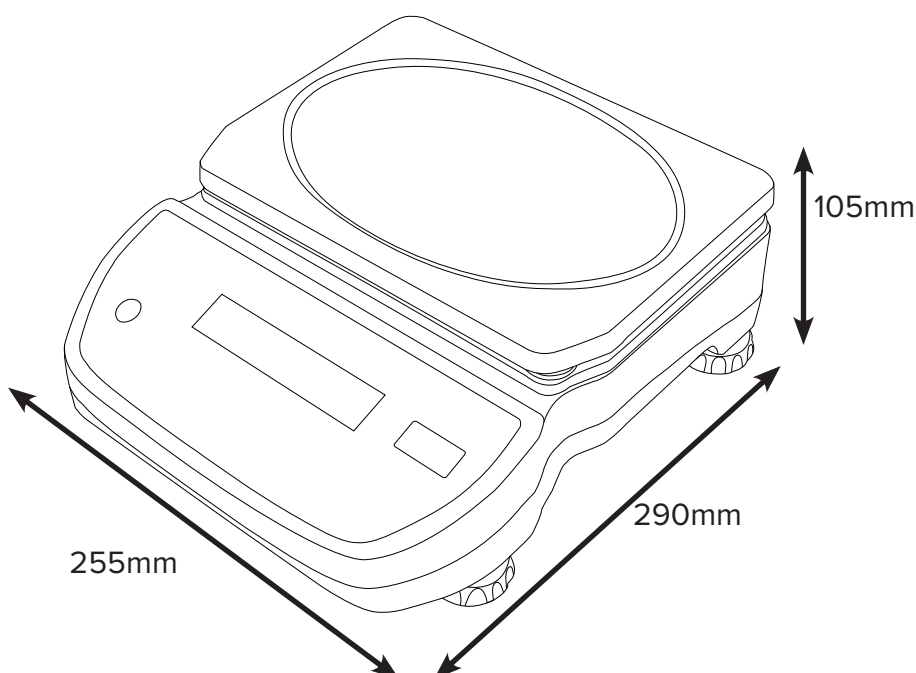
Item number	Description
3022014061	In-use cover
2020014062	In-use cover (pack of 5)
2020014063	In-use cover (pack of 10)
303149759	Vegetable Scoop (complete with fitting to scale)
303149760	Confectionery Scoop (complete with fitting to scale)
700660290	Calibration certificate

Key Accessories



Scoops

Metal scoops are designed to make portioning and food measurement easy. Two sizes available, small and large.



Supplied by

www.adamequipment.co.uk

Adam Equipment follows a policy of continuous improvement and reserves the right to change specification and pricing without notice. Adam Equipment's standard terms and conditions of sale apply. Errors and omissions excepted.

© 2020 Adam Equipment. All rights reserved. UK-2047